

DC Voltmeter

DCV Series

NEW



The device has been designed to measure the voltage of a DC system.

- Wide supply range, 85-265 VAC/DC(DCV-10), 10-56 DC (DCV-11)
- **Communication with MODBUS RTU protocol over RS485 line**
- With 2 Pieces of Programmable Alarm Relays, the range where the voltage rating in system is required to run can be determined and when the voltage goes out of this rating, it can be ensured to give warning signal by Alarm1 (C1) and Alarm2 (C2) contact outputs. (DCA-10C/10CS/11C/11CS)
- Saves maximum and minimum values
- Easy access to settings and best view under any lighting condition with the help of backlit LCD screen
- Adjustable measurement period between 1 and 600 seconds

PRODUCT SELECTION TABLE

Product Code	Voltage	Max. Value	Min. Value	Class 0.5	Measuring range +/- 200 VDC	2 Output Contact	Analog Output	RS-485 Communication	Pano Type	10-56 VDC	85-265 VAC/DC	Pcs. / Box
DCV-10	●	●	●	●	●				●		●	20
DCV-10A	●	●	●	●	●		○		●		●	20
DCV-10S	●	●	●	●	●	●			●		●	20
DCV-10C	●	●	●	●	●			●	●		●	20
DCV-10CS	●	●	●	●	●	●		●	●		●	20
DCV-11	●	●	●	●	●				●	●		20
DCV-11A	●	●	●	●	●		○		●	●		20
DCV-11S	●	●	●	●	●	●			●	●		20
DCV-11C	●	●	●	●	●			●	●	●		20
DCV-11CS	●	●	●	●	●	●		●	●	●		20

○ Programmable

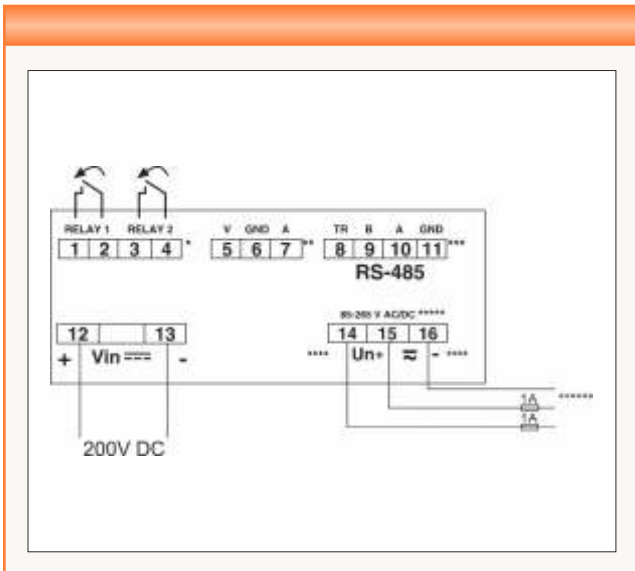
DC Voltmeter

DCV Series

SPECIFICATIONS

	DCV-10	DCV-10A	DCV-10S	DCV-10C	DCV-10CS	DCV-11	DCV-11A	DCV-11S	DCV-11C	DCV-11CS
ENCLOSURE										
Dimensions	PR 20 48x96 mm									
Protection Class	IP 40									
Weight	0,240 kg									
Display	2.5" LCD									
MEASUREMENTS										
Measurement Input Resistor	< 2MΩ									
Accuracy	%0.5 ± 1 Dijit [(%10 - %100) x full scale]									
Burden (Input Load)	< 1 VA									
Measurement Period	1 - 600 s									
Voltage										
Measurement Range	+/- 200V									
Supply										
Operating Voltage	85 - 265 VAC/DC					10 - 56 VDC				
Power Consumption	< 4 VA									
Operating Frequency	50-60 Hz					-				
STANDARDS										
Applied Security Standards	EN 61010-1									
Applied EMC Standards	EN 60255									
Applied Mechanical Endurance Standards	EN 60529									
Device Protection Class	Double Insulated - Class II									
Terminal Protection Class	IP 00									
AMBIENT CONDITIONS										
Operating Temperature	-20 / 70°C									
Overvoltage Category	III									
CONNECTIONS										
Mounting	Panel mounting (PR 20)									
Mounting Class	III									
Connection Terminals	PR 20 Screw with socket									
Connection Types	Single Phase, 2 Wires									
Cable Cross-section (For Terminals)	2,5 mm ²									
COMMUNICATION										
Communication Interface / Protocol	-	Modbus RTU (RS-485) programmable	-	Modbus RTU (RS-485) programmable	-	Modbus RTU (RS-485) programmable	-	Modbus RTU (RS-485) programmable	-	Modbus RTU (RS-485) programmable
Parity	-	None, Odd, Even	-	None, Odd, Even	-	None, Odd, Even	-	None, Odd, Even	-	None, Odd, Even
Address	-	1-247	-	1-247	-	1-247	-	1-247	-	1-247
Transfer Speed	-	2400-38400 bps	-	2400-38400 bps	-	2400-38400 bps	-	2400-38400 bps	-	2400-38400 bps

Connection Diagram



Dimensions

