

# Multimeters

EPM-04 / EPM-06 / EVM-05



EPM-04h



EPM-06

- Password security
- Operating hourmeter (resettable) and total operating hourmeter (not resettable) (for EPM-04h)

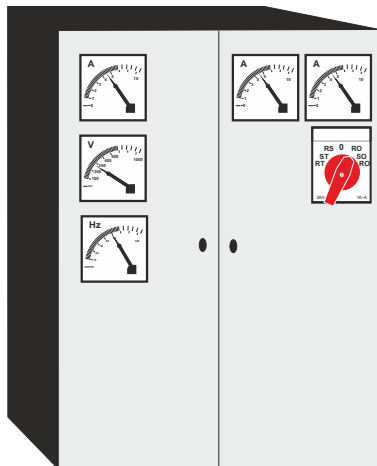
\* EPM-04h is for generator applications.



## PRODUCT SELECTION TABLE

Product Code	3 ~ Voltage	3 ~ Current	Cos	Frequency (Hz)	I neutral	Demand	Max. Values	Min. Values	Alarm Contact	Under / Over Voltage Protection	Under / Over Current Protection	Under / Over Frequency Protection	RS-485 Comm.	CT-25 (120A)	Operating Hourmeter (Resettable)	Total Operating Hourmeter (Non-resettable)	Front Panel Mounting	Rail Mounting	Pcs / Box
EPM-04-96	●	●		●	●	●	●	●						○			●		12
EPM-04h-96	●	●		●	●	●	●	●						○	●	●	●		12
EPM-04-DIN	●	●		●	●	●	●	●						○				●	12
EPM-04C-96	●	●		●	●	●	●	●	●	●	●	●		○			●		12
EPM-04C-DIN	●	●		●	●	●	●	●	●	●	●	●		○				●	12
EPM-04CS-96	●	●		●	●	●	●	●	●	●	●	●	●	○			●		12
EPM-04CS-DIN	●	●		●	●	●	●	●	●	●	●	●	●	○				●	12
EPM-06-96	●	●	●	●	●	●	●	●						○			●		12
EPM-06-DIN	●	●	●	●	●	●	●	●						○				●	12
EPM-06C-96	●	●	●	●	●	●	●	●	●	●	●	●		○			●		12
EPM-06C-DIN	●	●	●	●	●	●	●	●	●	●	●	●		○				●	12
EPM-06CS-96	●	●	●	●	●	●	●	●	●	●	●	●	●	○			●		12
EPM-06CS-DIN	●	●	●	●	●	●	●	●	●	●	●	●	●	○				●	12
EVM-05C-96	●			●			●	●	●	●		●					●		12
EVM-05C-DIN	●			●			●	●	●	●		●						●	12

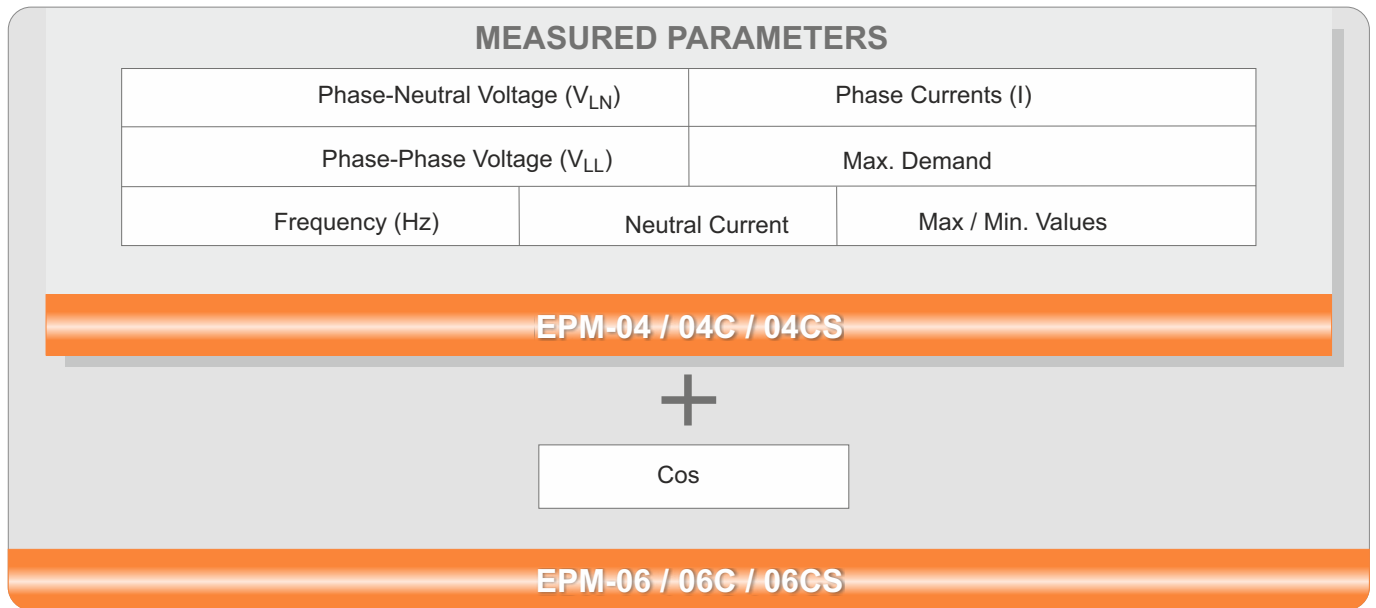
○ Optional



Multiple analogue devices can be replaced by a single multimeter.

# Multimeters

EPM-04 / EPM-06 / EVM-05



△ EPM-04h also includes two hour meters (Operating and Total Operating).

Electrical Measurement



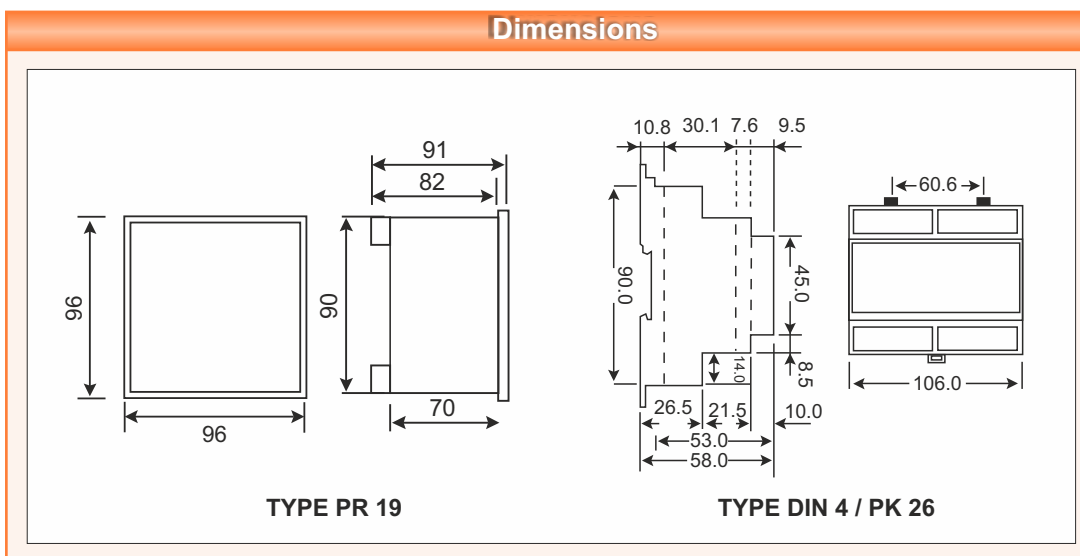
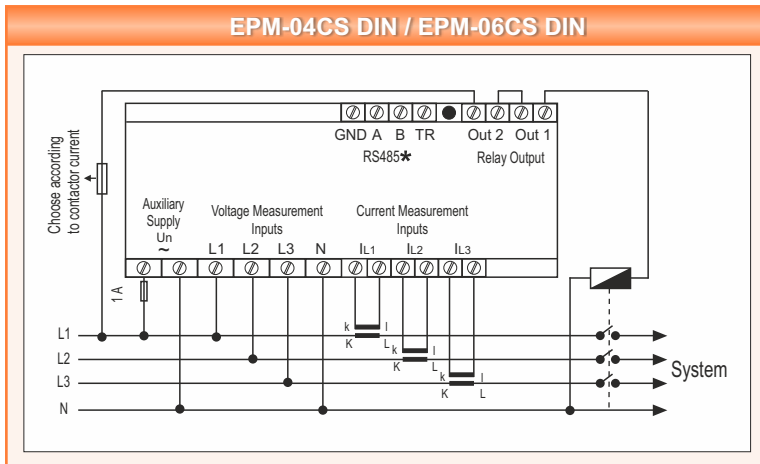
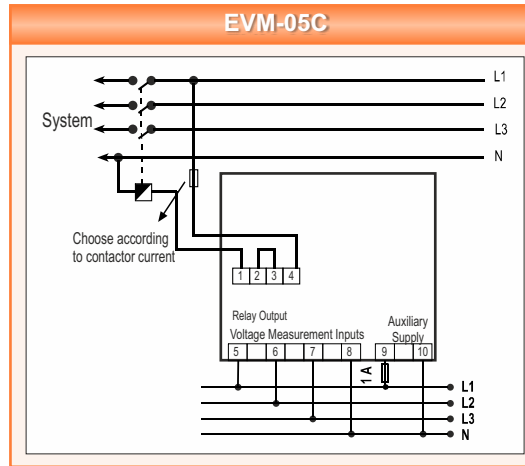
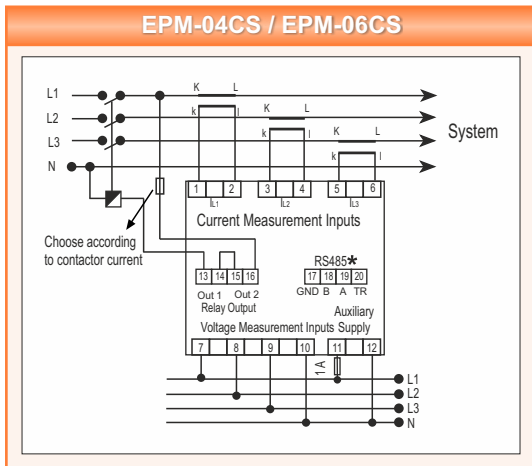
## SPECIFICATIONS

	EPM-04	EPM-04h	EPM-04C	EPM-04CS	EPM-06	EPM-06C	EPM-06CS	EVM-05C
<b>ENCLOSURE</b>								
Dimensions	96x96mm PR19, DIN6 PK26							
Protection Class	IP 40 Front Panel, IP54 Optional							
Weight	0,56kg/pcs; (PR19) / 0,52kg/pcs; (PK26)							0,45kg/pcs
Display	Red LED; Height 10mm(PR19) / 9,2mm(PK26)							
<b>MEASUREMENT</b>								
<b>Voltage</b>								
Measurement Range	10-300 VAC (L-N), 10-500 VAC (L-L)							
Measurement Range with Transformer	10-400KV							
Accuracy	1%±1 digit							
Input Impedance	1,8 MΩ							
<b>Current</b>								
Nominal Current	5,5 A							
Measurement Range / Accuracy	50mA-5,5A Accuracy: 1% ±1 digit							
Measurement Range with Transformer	50mA-10kA							
Burden (Input Load)	<0,5 VA							
Over Current Load	1,2 In							
Demand/Demand Period	1-60 min. Adjustable							
Frequency	45-65 Hz							
<b>SUPPLY</b>								
Operating Voltage	110 VAC/230 VAC, ±10% or 45-265 VAC/DC							
Operating Frequency	45-65Hz							
Power Consumption	<4 VA							
<b>INPUT/OUTPUT</b>								
Delay Time	Delay on and delay off 0-999,9 sn							
Contact Output	-	5A 1250VA			-	5A 1250VA		
<b>AMBIENT CONDITIONS</b>								
Operating Temperature	-5 / +50°C							
Overvoltage Category	III							
Pollution Degree	II							
Ambient Humidity	90%							
<b>STANDARDS</b>								
Applied Security Standards	EN 61010-1							
Applied EMC Standards	EN 61000-6-2, EN 61000-6-4							
Applied Mechanical Endurance Standards	EN 60529							
<b>CONNECTIONS</b>								
Mounting	Front Panel mounting(PR19), Rail mounting(PK26)							
Connection Terminals	Screw terminal with socket (PR19), Screw terminal(PK26)							
Connection Types	3 phase neutral (3P4W) ve 3 phase (3P3W)							

# Multimeters

EPM-04 / EPM-06 / EVM-05

## Connection Diagram (PR19- 96x96mm)



Connection diagrams are given as references. For the latest connection diagrams, please refer to the user manual or [www.entec.com.tr](http://www.entec.com.tr).